



Capnography (ETCO₂)

Technology Innovation

Salter has been the Gold Standard in ETCO₂ sampling cannula innovation since 1975 and continues to lead the way in non-invasive ETCO₂ cannula technology.

The FIRST

The first-ever divided EtCO₂ sampling cannula design was introduced by Salter

The ONLY

Only Salter has the patented Salter Eyes and the breadth of products to meet all application needs

The LEADER

The most prescribed Luer connection EtCO₂ sampling cannula in the US and used by nearly 60% of hospitals and surgery centers²

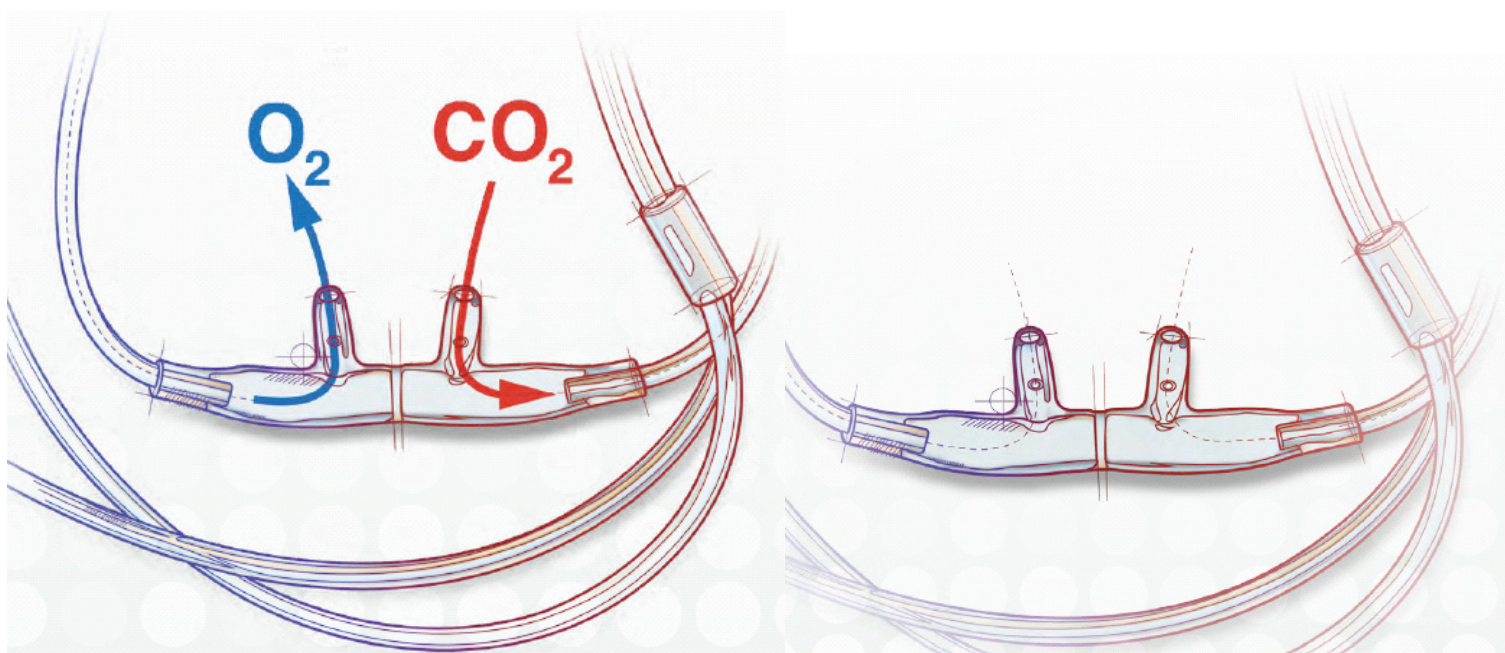
LATEX FREE



DEHP-free

EXCLUSIVE SAFETY FEATURE

Innovative, patented **Salter Eyes** designed by anesthesiologists for anesthesiologists. Provides safety apertures in each prong to reduce the possibility of occlusions

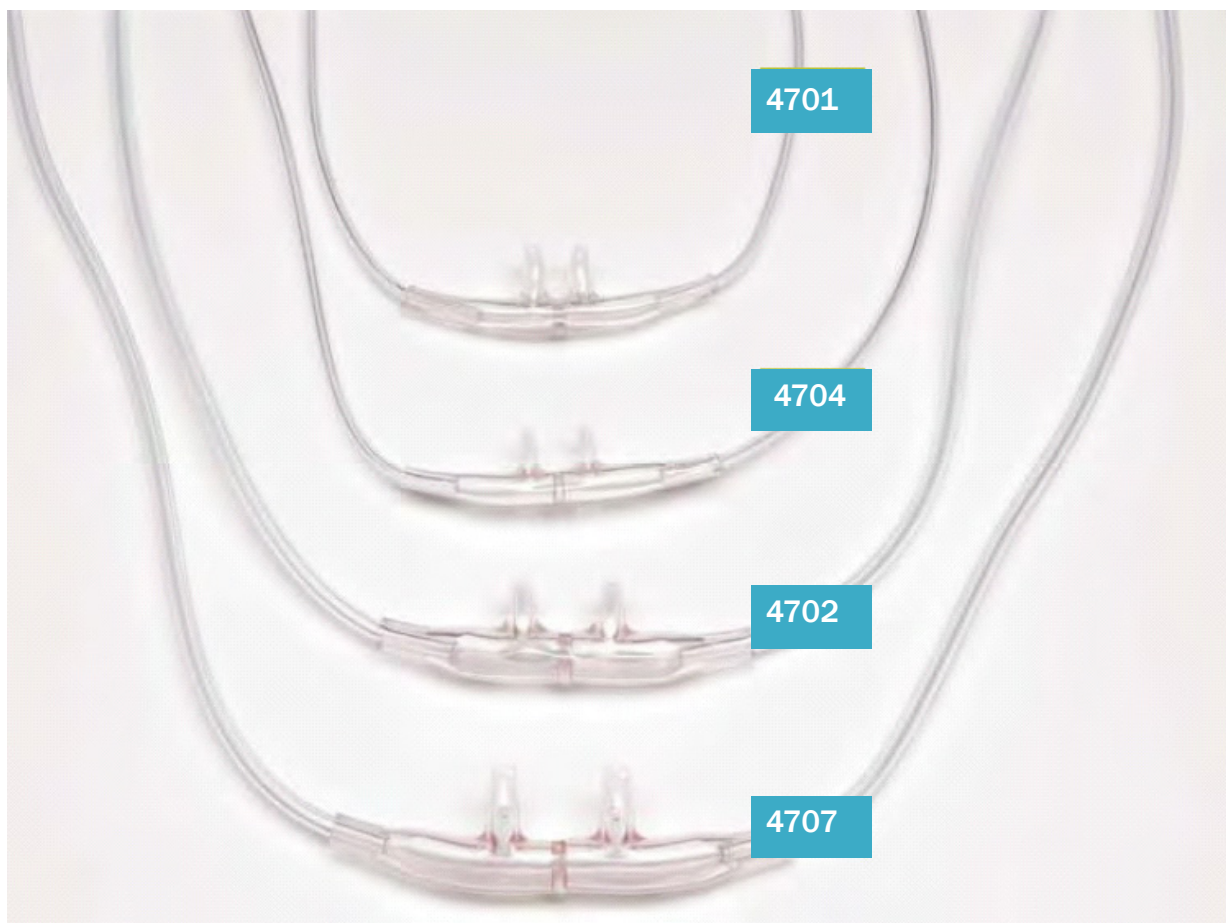




Capnography (ETCO₂)

Divided Capnography Cannulas With O₂ Delivery

Accurate monitoring of spontaneous-breathing patients for end-tidal CO₂ and other exhaled gases can be challenging. One reason is that supplemental oxygen, delivered by mask or cannula, tends to dilute end-tidal gases and distort waveforms. But Salter's special capnography sampling cannulas permit an undiluted sample, even with simultaneous insufflation of oxygen or gaseous analgesia. This results in a waveform similar to that obtained with an intubated patient.





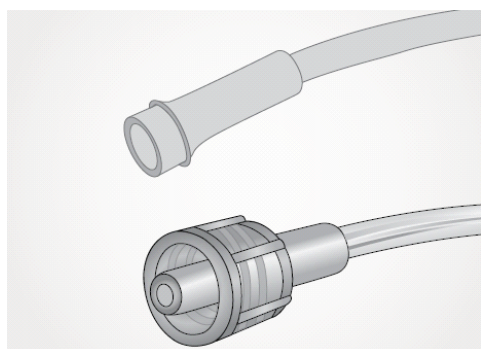
Capnography (ETCO₂)

Divided Capnography Cannulas With Simultaneous Oxygen Delivery

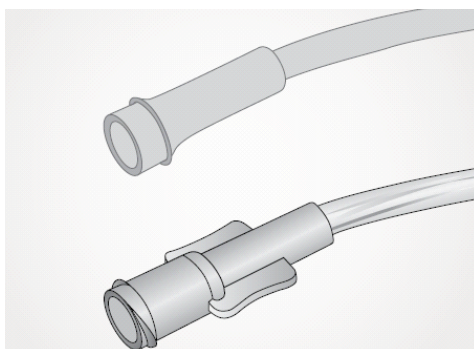
Salter design accommodates end-tidal sampling from one nare and oxygen or gaseous analgesia delivery to the other, and does not interfere with patient observation. Salter capnography cannulas are available with multiple configurations compatible with a variety of capnography monitors and/or room configurations

Connection Type

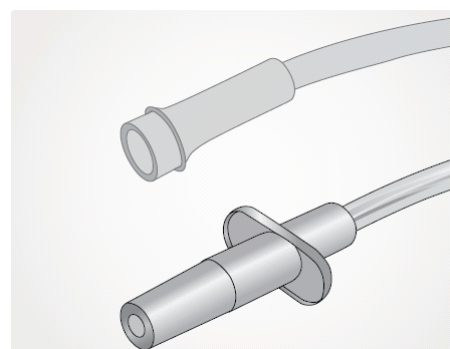
Salter capnography cannulas are available for monitors with Luer-Lok® connectors:



Male Luer-Lok connectors



Female Luer-Lok connectors



Male Luer-Slip connectors

Oral Sampling

Salter capnography cannulas are available with an Oral-Trac® oral sampling line to enable sampling from mouth-breathing patients.



CO₂ filtration

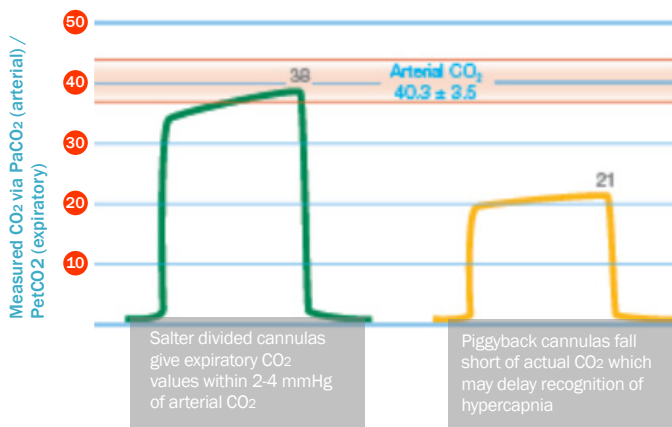
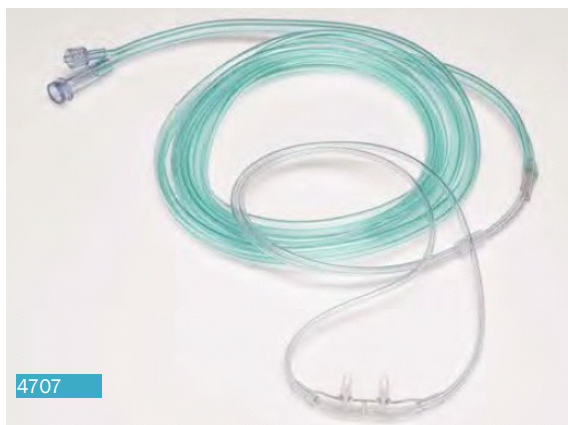
Salter capnography cannulas are available with inline filtration to protect monitoring equipment from moisture.





Capnography (ETCO₂)

Divided with O₂ Delivery



Divided Capnography Cannulas Requiring Luer-Lok Connectors - Box 25

Standard Divided Cannulas

Cannula Type	Oxygen Delivery Line Length	Sampling Line Length	Male Item Code	Female Item Code	With Filter Item Code
Infant	2.1m (7')	2.1m (7')	4700.25	4700F.25	-
Intermediate Infant	2.1m (7')	2.1m (7')	4704-7-7-25	4704F-7-7-25	-
Paediatric	2.1m (7')	2.1m (7')	4703.25	4703F.25	-
Adult	2.1m (7')	2.1m (7')	4707.25	4707F.25	4707SP-7-7-25
Adult	3.9m (13')	3.9m (13')	4707-13-13-25	-	-
Adult	4.2m (14')	4.2m (14')	-	4707F-14-14-25	-

Standard Divided Cannulas With Oral Sampling

Paediatric	2.1m (7')	2.1m (7')	4793-7-7-25	4793F-7-7-25	-
Adult	2.1m (7')	2.1m (7')	4797-7-7-25	4797F-7-7-25	-

Cannulas Requiring Luer Lock Without Oxygen Delivery

Infant	-	2.1m (7')	4200-7-25	4200F-7-25	
Paediatric	-	2.1m (7')	4100-7-25	4100F-7-25	
Adult	-	2.1m (7')	4000-7-25	4000F-7-25	



Capnography (ETCO₂)

Cannulas For Monitors Requiring Male Luer-Slip Connectors - Box 25

Standard Divided Cannula

Cannula Type	Oxygen Delivery Line Length	Capnography Sampling Line Length	Item Code
Paediatric	2.1m (7')	0.6m (2')	4783-7-2-25
Adult	2.1m (7')	0.6m (2')	4787-7-2-25

Standard Divided Cannula Without Oxygen Delivery

Infant	-	0.6m (2')	4208-2-25
Adult	-	0.6m (2')	4008-2-25

ETCO₂ Sampling Lines

Salter gives you the opportunity to increase the length of the CO₂ line for increased adaptability in your chosen environment; internal diameter: .055 ± .005.



Sampling Line Length	Male to Female Item Code	Male to Male Item Code	Female to Female Item Code	QTY
2.1m (7')	4407-7-25	4507-7-25	4607-7-25	Box 25
3m (10')	4410-10-25	4510-10-25	-	Box 25
4.5m (15')	4415-15-25	4515-15-25	-	Box 25
9.1m (30')	4430-30-25	4530-30-25	-	Box 25



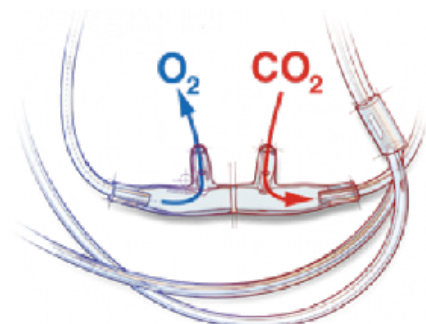
Capnography (ETCO₂)

Salter SOFT

Salter's divided capnography cannulas are now available with soft tubing. Salter design provides true EtCO₂ sampling and proven O₂ delivery without limitations at higher O₂ rates. The divided design separates gases and Salter Eyes maintain sampling even during a cannula occlusion. Available in a multitude of configurations for Luer-style monitors, Salter sets the standard in capnography

Salter ETCO₂ divided sampling cannulas now have SOFT headset tubing for even more patient comfort

1. Soft, pliable headset tubing curves gently around the cheeks and ears
2. Exclusive 3-channel safety tubing minimizes kinking of soft headset
3. Unique bolo design helps resist twisting
4. Curved, soft prongs and face-piece conform natural anatomy



Divided Cannula



Thread Grip



Trumpet

CO₂ Connectors, Universal Thread Grip & Trumpet O₂ Connectors - Box 25

Cannula Type	O ₂ Length	CO ₂ Length	Male Luer Style Item Code	Female Luer Style Item Code	Universal Thread Grip Item Code
Paediatric	2.1m (7')	2.1m (7')	47SOFTPED-7-7-25	47SOFTFPED-7-7-25	47SOFT-TG-PED-7-7-25
Adult	2.1m (7')	2.1m (7')	47SOFT-7-7-25	47SOFTF-7-7-25	47SOFT-TG-7-7-25
Adult	3.9m (13')	3.9m (13')			47SOFT-TG-14-14-25

ORDERING INFORMATION

Adult

Paediatric

Intermediate Infant

Infant

Divided Capnography Sampling Cannula the highest level of safety and performance in ETCO2 nasal sampling (25 units per box)

	Male Luer Style Connector	Female Luer Style Connector	Male Luer Slip Connector	With Filter	Male Luer Style Connector	Female Luer Style Connector	Male Luer Slip Connector	Male Luer Style Connector	Female Luer Style Connector	Male Luer Style Connector	Female Luer Style Connector
2.1m O2 supply line	0.6m CO2 line	-	4787-7-2-25	-	-	-	4783-7-2-25	-	-	-	-
2.1m O2 supply line	2.1m CO2 line	4707-25	4707F-25	4707SP-7-7-25	4703-25	4703F-25	-	4704-7-7-25	4704F-7-7-25	4700-25	4700F-25
3.9m O2 supply line	3.9m CO2 line	4707-13-13-25	-	-	-	-	-	-	-	-	-
4.2m O2 supply line	4.2m CO2 line	-	4707F-14-14-25	-	-	-	-	-	-	-	-

Divided Capnography Sampling Cannula with Oral-Trac oral sampling for unobtrusive oral sampling during GI procedures (25 units per box)

2.1m O2 supply line	2.1m CO2 line	4797-7-7-25	4979F-7-7-25	-	4793-7-7-25	4793F-7-7-25	-	-	-	-	-
---------------------	---------------	-------------	--------------	---	-------------	--------------	---	---	---	---	---

Divided Capnography Sampling Cannula Without Oxygen Delivery For CO2 sampling during spontaneous breathing (25 units per box)

-	2.1m CO2 line	4000-7-25	4000F-7-25	-	4100-7-25	4100F-7-25	-	-	-	4200-7-25	4200F-7-25
---	---------------	-----------	------------	---	-----------	------------	---	---	---	-----------	------------

Salter SOFT Cannula for even more patient comfort (25 units per box)

2.1m O2 supply line	2.1m CO2 line	47SOFT-7-7-25	47SOFTF-7-7-25	-	47SOFTPED-7-7-25	47SOFTFPED-7-7-25	-	-	-	-	-
---------------------	---------------	---------------	----------------	---	------------------	-------------------	---	---	---	---	---

Male to Female

Male to Male

Female to Female

ETCO2 Sampling Lines for use with intubated patients and with Capnography Masks

2.1m CO2 sampling	4407-7-25	4507-7-25	4607-7-25
3m CO2 sampling	4410-10-25	4510-10-25	-
4.5m CO2 sampling	4415-15-25	4515-15-25	-
9.1m CO2 sampling	4430-30-25	4530-30-25	-